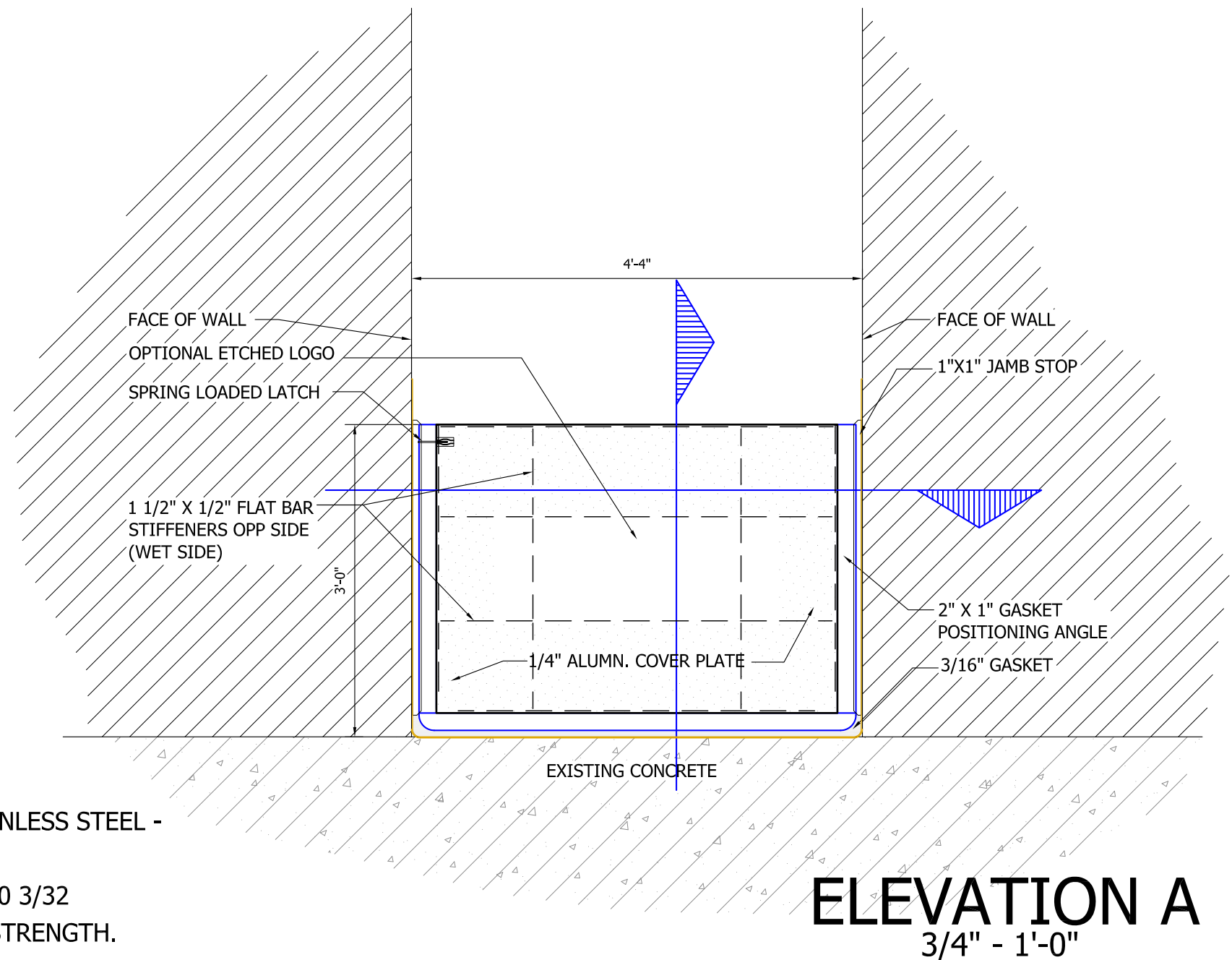

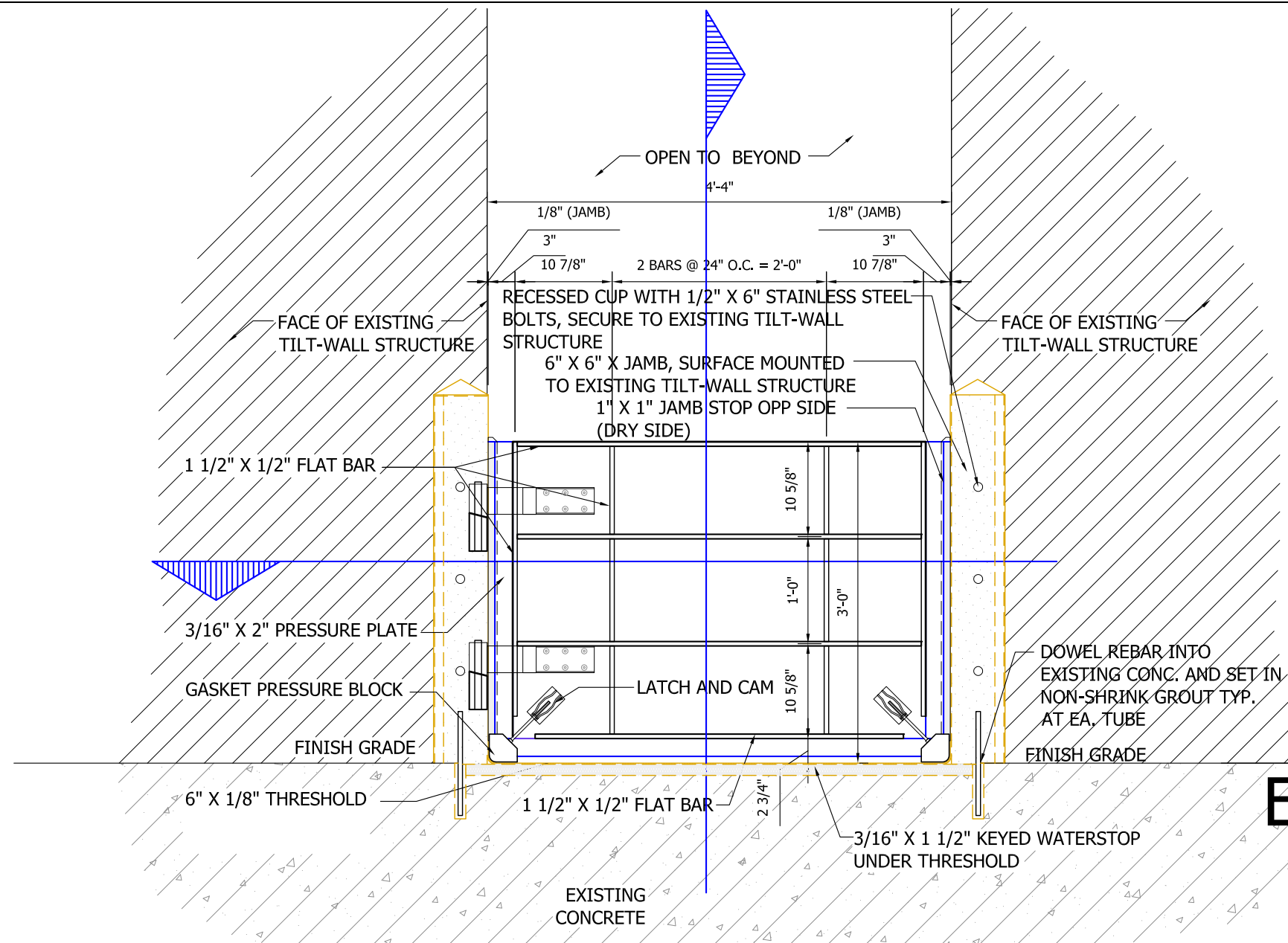


## NOTES:

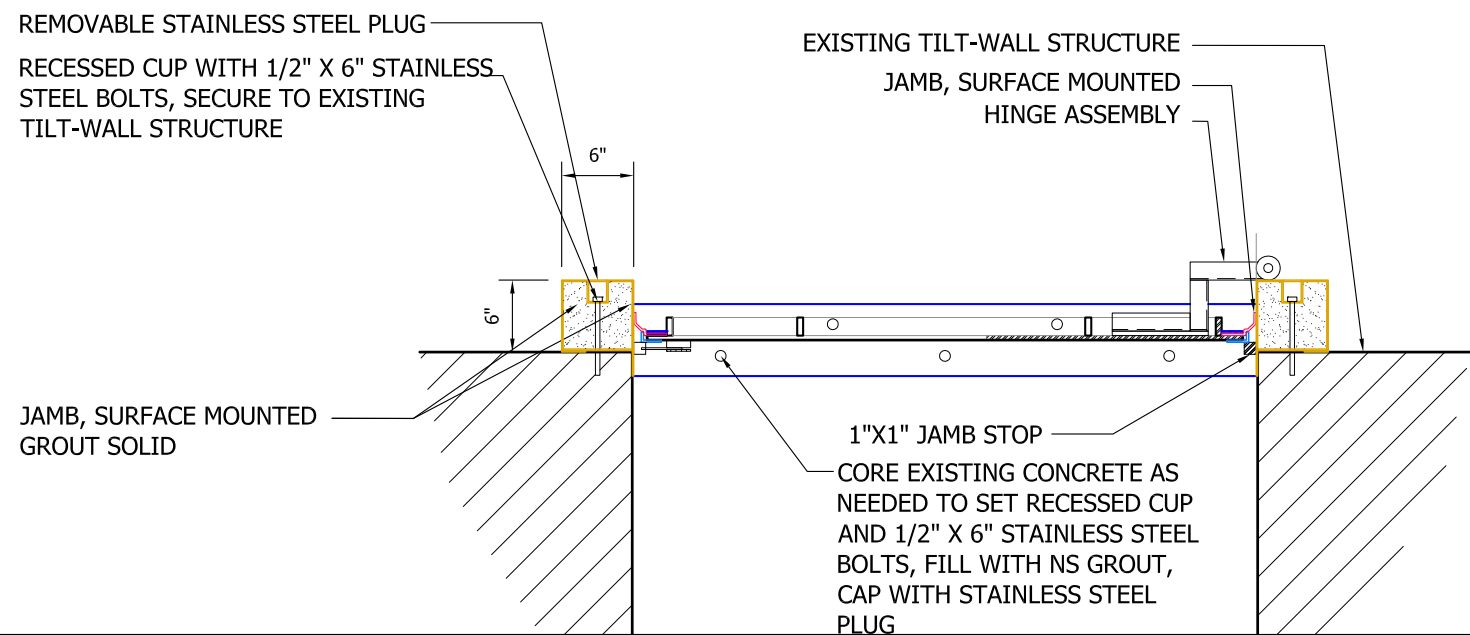
- SWING GATE MATERIAL TO BE ALUMINUM AS FOLLOWS
  - 1 1/2" X 1/2" FLAT BARS - GRADE 6061-T6 MIN  $F_Y = 40$  KSI
  - COVER PLATE 1/4" SMOOTH PLATE - GRADE 6061-T6 MIN  $F_Y = 40$  KSI
- MATERIALS FOR JAMBS, HINGES, BOLTS AND SCREWS ARE TO BE STAINLESS STEEL - GRADE 304, MIN  $F_Y = 90$  KSI
- ALUMINUM TO BE WELDED WITH ALUMINUM WIRE - ER 4043 AWS A5.10 3/32
- GROUT TO BE NON-SHRINK GROUT, WITH 8000 PSI MINIMUM 28 DAY STRENGTH.
- REINFORCING BARS TO BE ASTM - A615 MIN  $F_Y = 60$  KSI
- ALL WELDS REQUIRED FOR STRUCTURAL STRENGTH OF THE GATE ARE AS FOLLOWS: 5/16" FILLET WELDS 4" LONG AT 8" O.C. STAGGER EACH SIDE. ALL OTHER WELDING, NOT SHOWN OR CALLED OUT ON THESE DRAWINGS, ARE ESSENTIALLY NON-STRUCTURAL WELDS OR WELDS WITH NEGLIGIBLE LOADS AND STRESSES. THESE WELDS ARE TO BE SELECTED BY THE FABRICATOR, TAKING INTO CONSIDERATION ASSEMBLY, TRANSPORT AND CONTINUITY REQUIREMENTS, AND MUST BE APPROVED BY FLOODBREAK.
- ALL SWING DESIGNATIONS ARE INDICATED FROM WET SIDE OF GATE.
- ALL BOLTS NOT NOTED ARE 1/2" STAINLESS STEEL



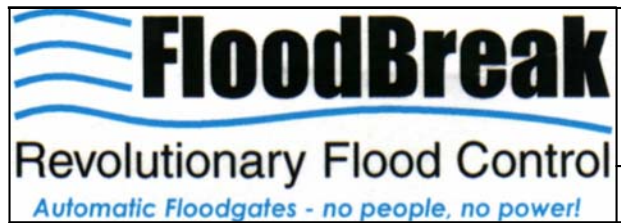
 <b>FloodBreak</b> Revolutionary Flood Control <i>Automatic Floodgates - no people, no power!</i>	SAMPLE SWING GATE	
	FLOODBREAK SERIAL #	
SCALE:	AS NOTED	ELEVATION & NOTES
DRAWN BY:	CWJJ	DATE:
LHR TUBE SURFACE MOUNT		SHEET: 1 OF 4



**ELEVATION B**  
3/4" - 1'-0"

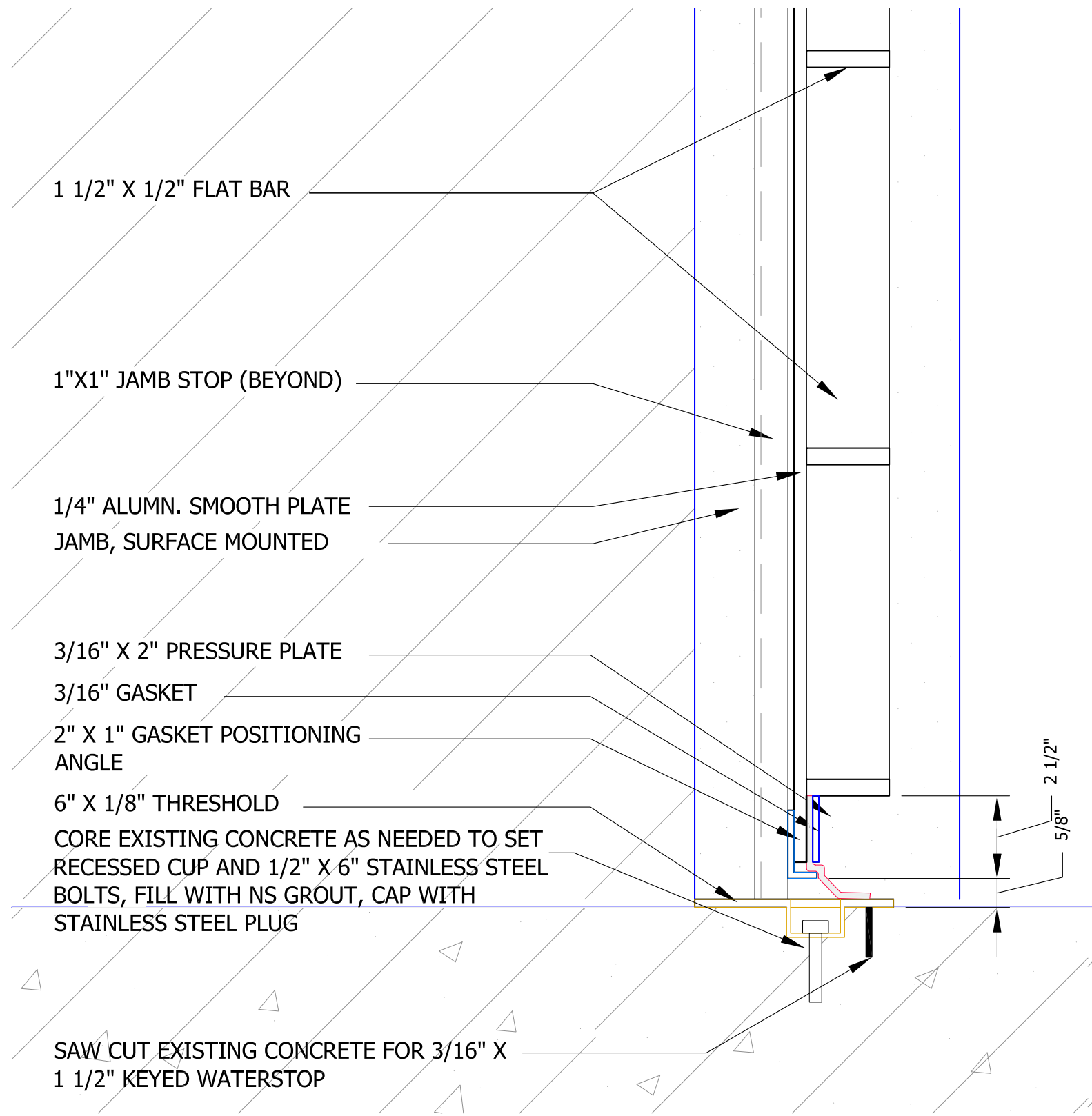


**PLAN**  
3/4" - 1'-0"

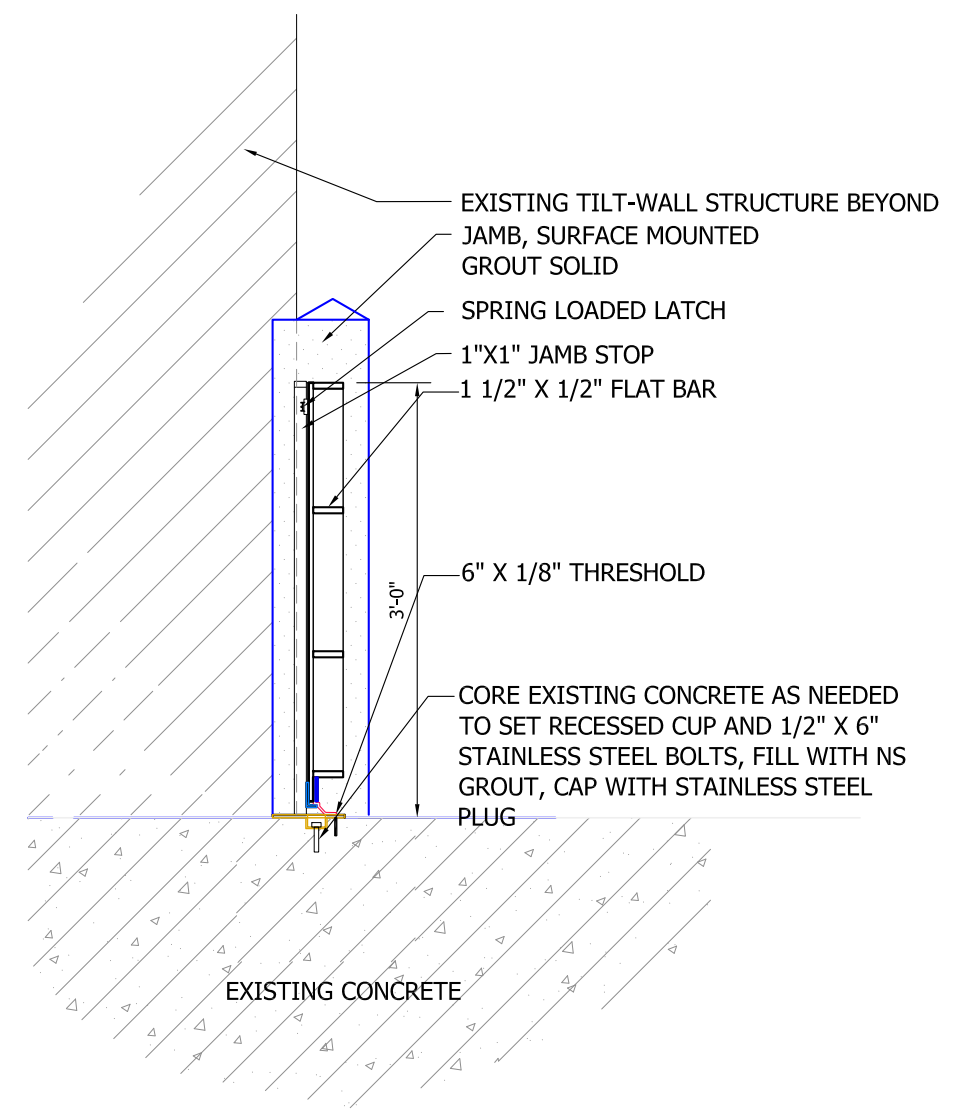


SCALE: 3/8" = 1'-0" (U.N.O.)  
DRAWN BY: CWJJ  
LHR TUBE SURFACE MOUNT


SAMPLE SWING GATE	
FLOODBREAK SERIAL #	
ELEVATION & PLAN	
DATE:	
SHEET:	2 OF 4

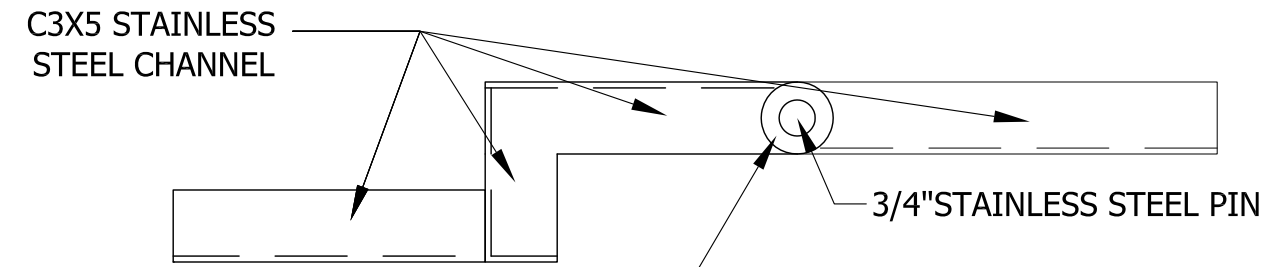


**SECTION DETAIL A-A**  
SCALE: 3" = 1'-0"



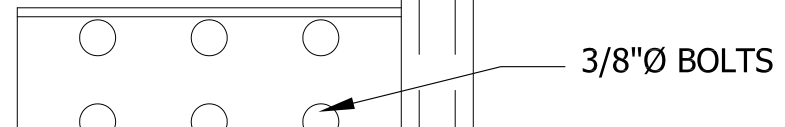
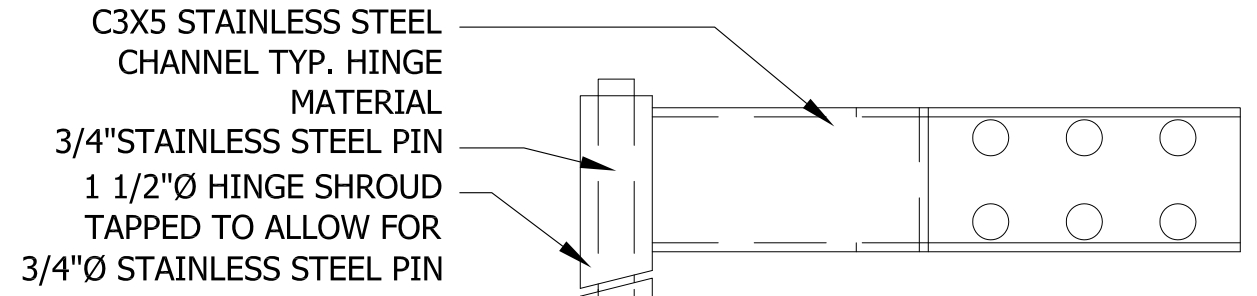
**SECTION A-A**  
SCALE: 3/4" = 1'-0"

 <b>FloodBreak</b> Revolutionary Flood Control <i>Automatic Floodgates - no people, no power!</i>	SAMPLE SWING GATE	
	FLOODBREAK SERIAL #	
SCALE: 3/8" = 1'-0"	SECTION & SECTION DETAIL	
DRAWN BY: CWJJ	DATE:	11-17-06 REV
LHR TUBE SURFACE MOUNT	SHEET:	3 OF 4

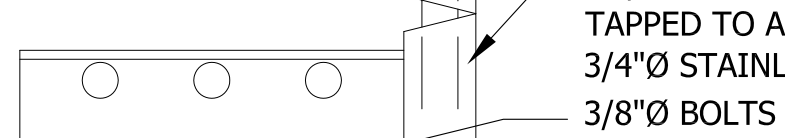
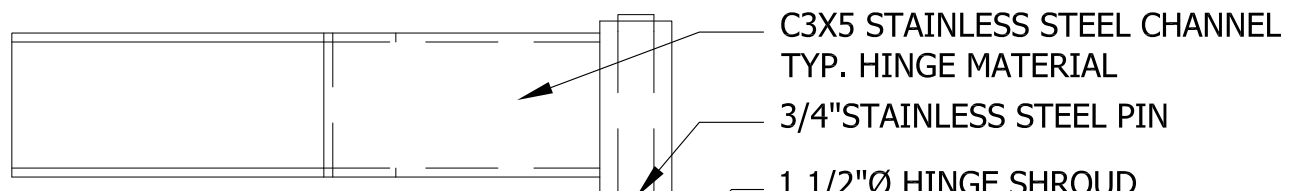
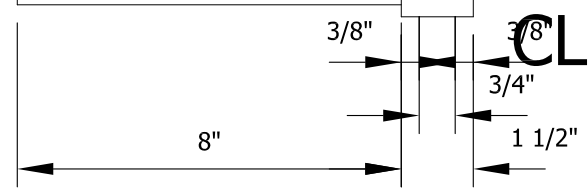


1 1/2" Ø HINGE SHROUD  
TAPPED TO ALLOW FOR  
3/4" Ø STAINLESS STEEL PIN

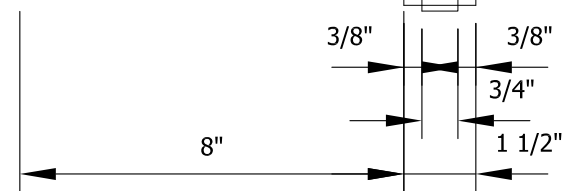
**PLAN**



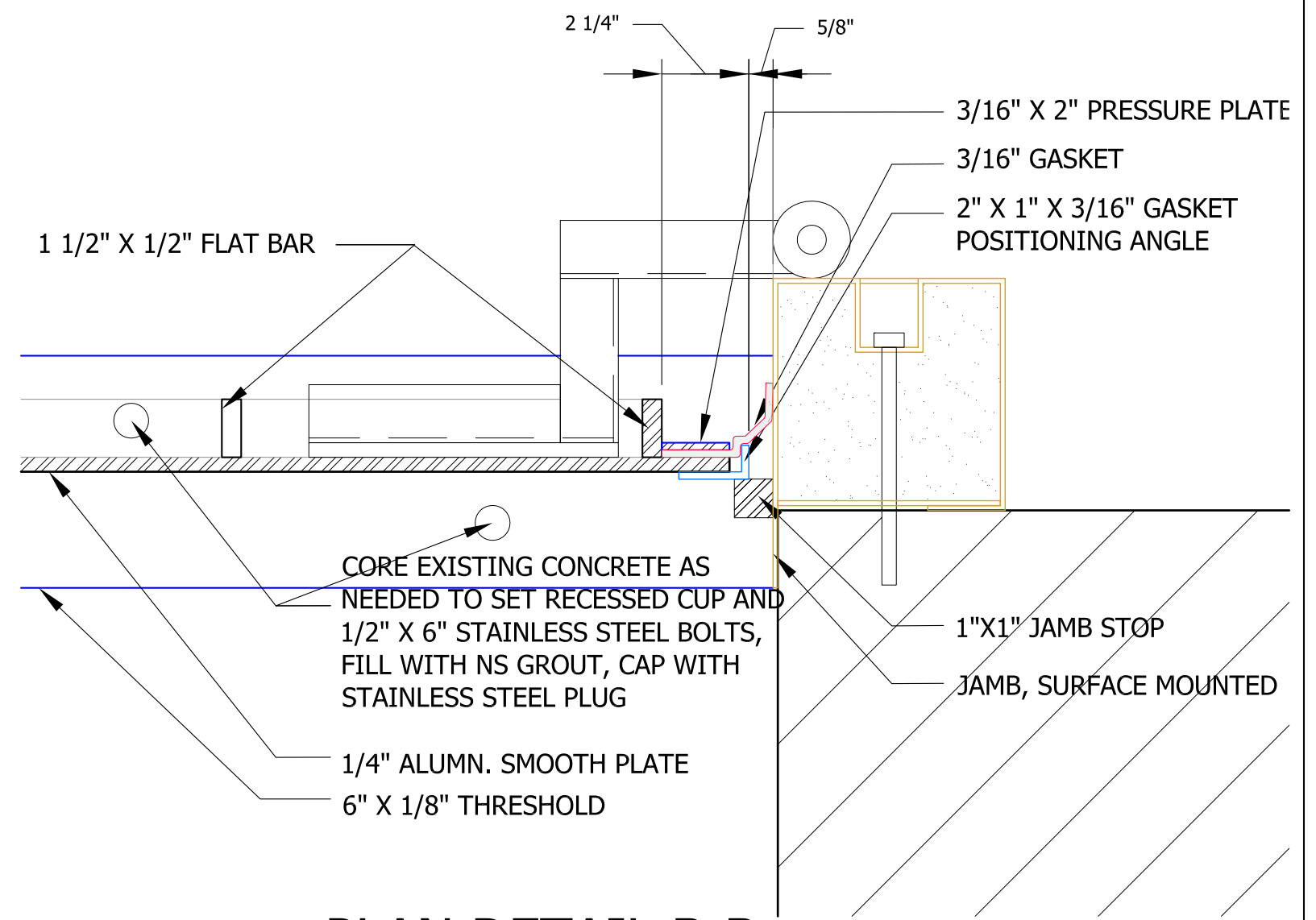
**CLOSED POSITION**



**OPEN POSITION**



**HINGE DETAILS**  
SCALE: 3" = 1'-0"



**PLAN DETAIL B-B**  
SCALE: 3" = 1'-0"

<p><b>FloodBreak</b> Revolutionary Flood Control <i>Automatic Floodgates - no people, no power!</i></p>		SAMPLE SWING GATE	
		FLOODBREAK SERIAL #	
SCALE:	AS NOTED	PLAN DETAILS	
DRAWN BY:	CWJJ	DATE:	11-17-06 REV
LHR TUBE SURFACE MOUNT		SHEET:	4 OF 4